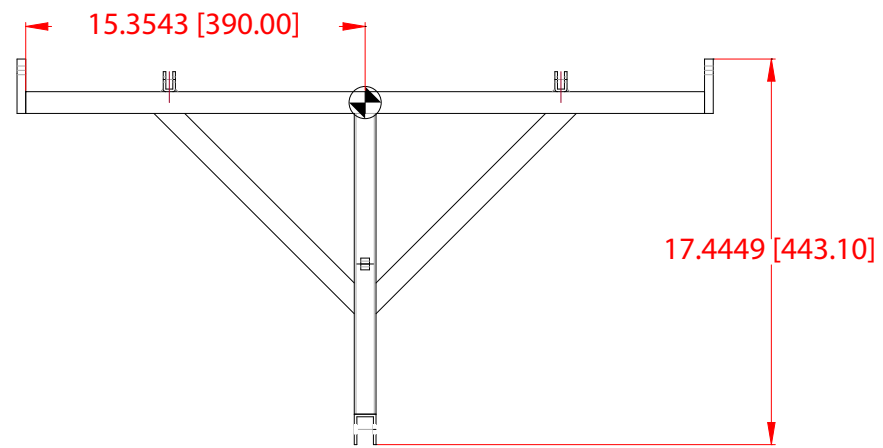
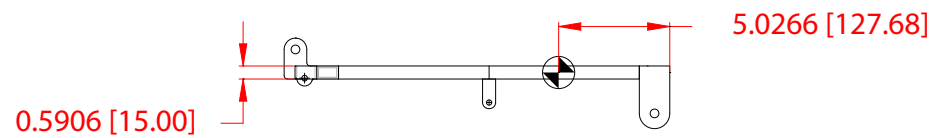


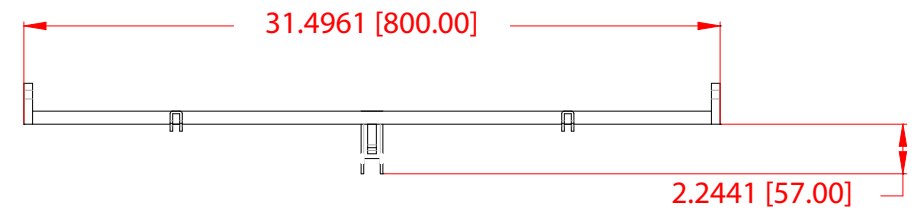
REV	CHANGE NUMBER	DATE
A		



TOP



SIDE



FRONT

NOTES:

UNLESS OTHERWISE SPECIFIED:  
ALL DIMENSIONS ARE IN INCHES  
DUAL [MM] DIMENSIONS  
FOR REF ONLY

TOLERANCES  
LINEAR  $\bar{a}$   
ANGLES  $\bar{a}$



WWW.VUEAUDIO.COM

TITLE:  
**al-8-ufb**  
**[MECHANICAL SPECIFICATION]**

A SHEET 1 OF 1 SCALE: 1 TO 14

DRAWING NUMBER: REVISION: **A**