

#### GENERAL CHARACTERISTICS

Nominal Overall Diameter .....	307	mm
Nominal Voice Coil Diameter .....	50	mm
Magnet Weight .....	200	g
Flux Density.....	1.20	T
Weight.....	2.10	Kg

#### THIELE-SMALL PARAMETERS

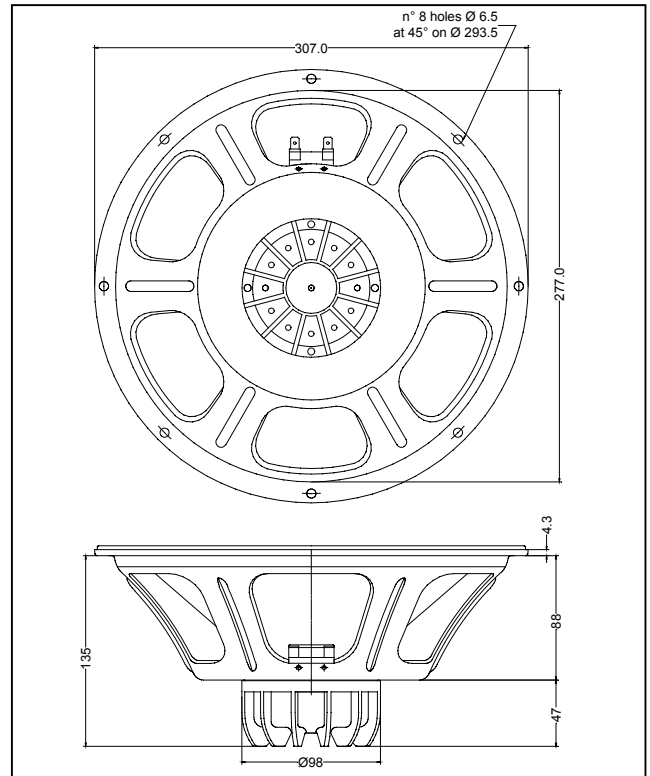
Voice Coil DC Resistance .....	$R_E$	6.81	Ω
Resonance Frequency .....	$f_s$	91.9	Hz
Mechanical Q Factor.....	$Q_{MS}$	16.49	
Electrical Q Factor.....	$Q_{ES}$	0.63	
Total Q Factor .....	$Q_{TS}$	0.61	
Mechanical Moving Mass .....	$M_{MS}$	32.0	g
Mechanical Compliance .....	$C_{MS}$	94	μm/N
Force Factor .....	$B \times l$	14.13	Wb/m
Equivalent Acoustic Volume.....	$V_{AS}$	31.7	lt.
Maximum Linear Displacement ....	$X_{MAX}$	+/-1.0	mm
Reference Efficiency .....	$\eta_0$	3.74	%
Diaphragm Area .....	$S_D$	490.9	cm <sup>2</sup>
Losses Electrical Resistance.....	$R_{ES}$	177.9	Ω
Voice Coil Inductance @ 1kHz .....	$L_E$	0.65	mH

#### CONSTRUCTIVE CHARACTERISTICS

Magnet.....	Neodymium
Voice Coil Winding.....	Copper
Voice Coil Former.....	Nomex
Cone .....	Paper
Surround.....	Paper - Integrated
Dust Dome .....	Non Treated Cloth
Basket .....	Pressed Sheet Steel

#### ELECTRICAL CHARACTERISTICS

Nominal Impedance.....	8	Ω
Musical Power .....	200	W
Rated Power* .....	100	W
Sensitivity @ 1 W, 1 m .....	98.4	dB



\*rated power measured with 2 hours test with pink noise signal, 6 dB crest factor, loudspeaker mounted on enclosure

Frequency Response on IEC Baffle (DIN 45575) @ 1 W, 1 m - Impedance

